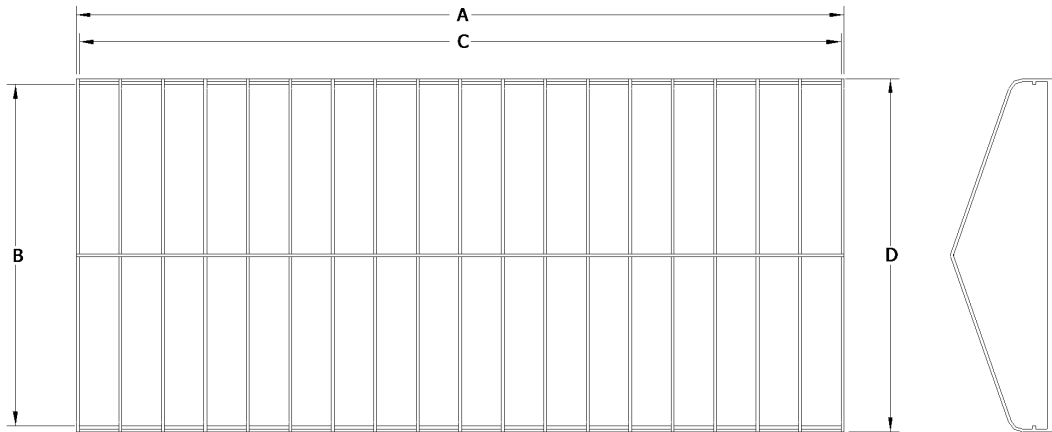


Attn: Whiskey Creek Trading

**Beach King® Tower Frame
Specification Sheet**



***ALL MEASUREMENTS (±1")**

PART NO.	SIZE	OVERALL LENGTH "A"	INSIDE WIDTH "B"	SIDE RAIL LENGTH "C"	OUTSIDE WIDTH "D"
BKT2300114	23 ft. x 114 in.	23'	114"	22' 10"	118"
BKT2600114	26 ft. x 114 in.	26'	114"	25' 10"	118"
BKT2300120	23 ft. x 120 in.	23'	120"	22' 10"	128"
BKT2600120	26 ft. x 120 in.	26'	120"	25' 10"	128"
BKT2900120	29 ft. x 120 in.	29'	120"	28' 10"	128"

ATTACHMENT

The male buckle wraps around the bottom of the canopy frame while the female buckle wraps around the top of the canopy frame.

STANDARD VALANCE: 6" DROP

****If dimensions don't match above,
fill out detail sheet on page 2****

OUTSIDE DIMENSIONS

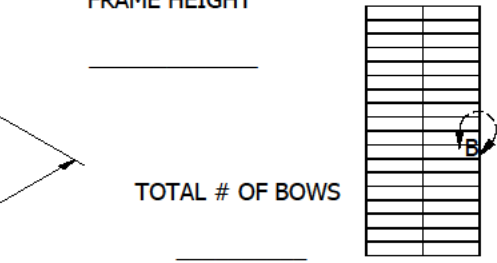
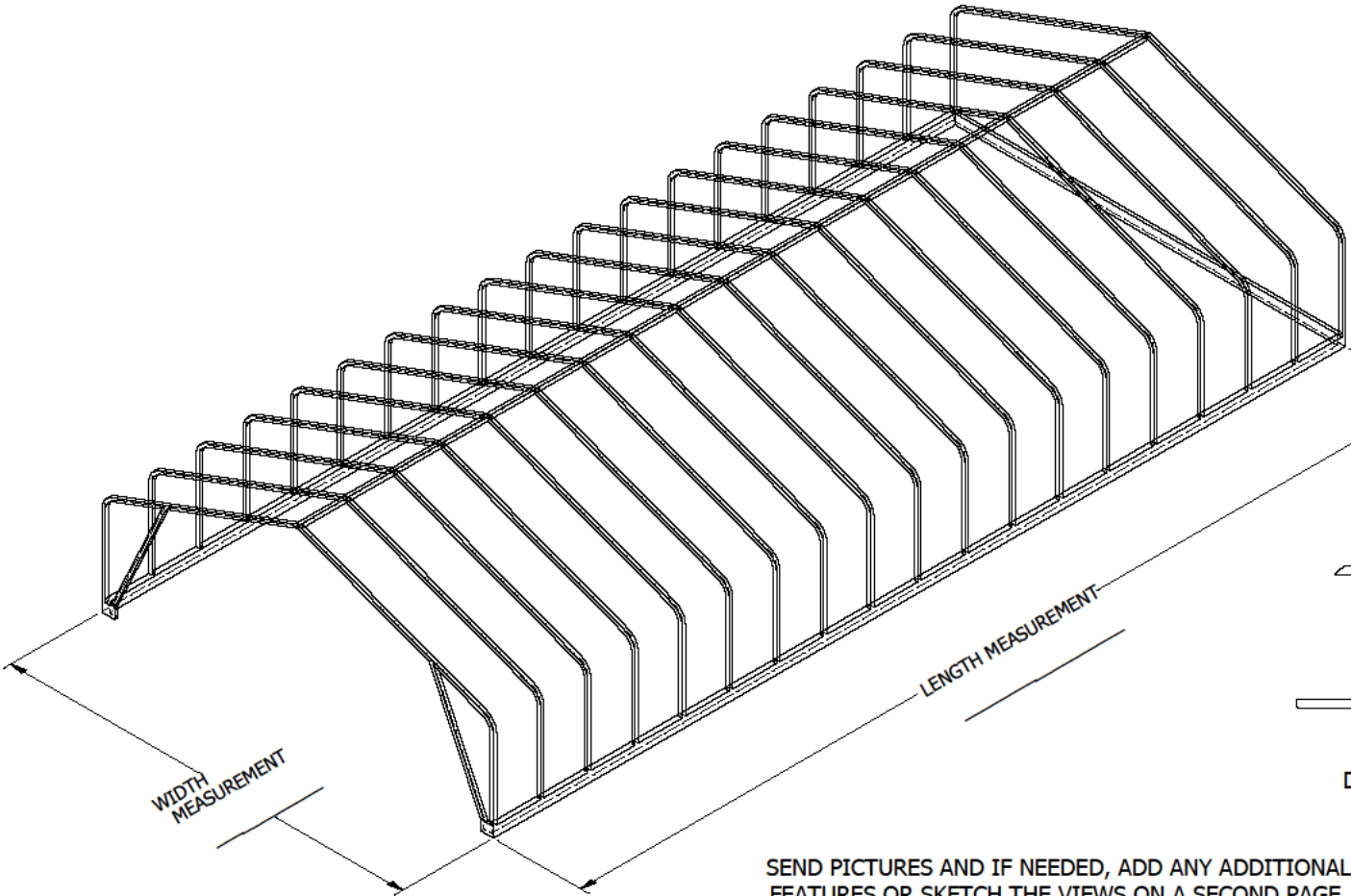
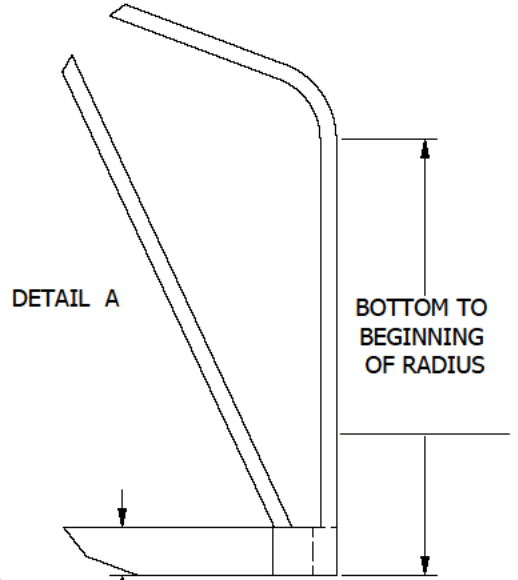
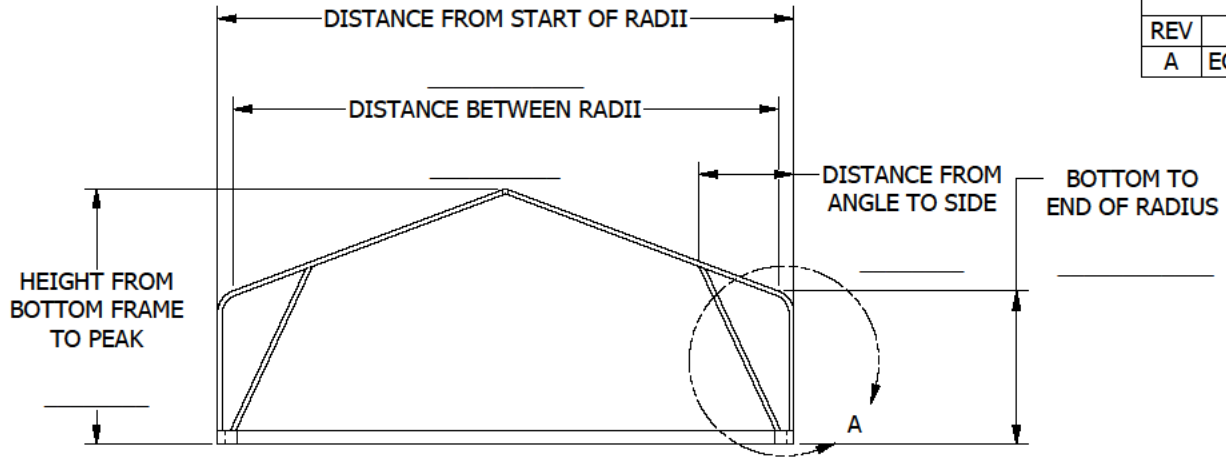
- A _____ OVERALL LENGTH OF FRAME
- B _____ INSIDE WIDTH OF FRAME
- C _____ LENGTH OF SIDE RAILS (W/O ENDS)
- D _____ OUTSIDE WIDTH OF FRAME

CONTACT INFORMATION

Name _____
 Address _____
 City _____ State _____ Zip _____
 Phone _____ Fax _____
 Boat Lift Brand _____

NOTES

REVISIONS				
REV	ECN	DATE	DESCRIPTION	ISSUER
A	EC-00469	10/4/2016	RELEASE	RML



SEND PICTURES AND IF NEEDED, ADD ANY ADDITIONAL FEATURES OR SKETCH THE VIEWS ON A SECOND PAGE.

TOLERANCES - UNLESS NOTED
 DECIMAL ±
 FRACTION ±
 ANGLE ±
NOTICE



1314 Walnut St. - Springfield, SD 57062 605-369-6000

THIS ILLUSTRATION IS THE PROPERTY OF RUSH-CO, AND MUST NOT BE USED IN ANY WAY DETRIMENTAL TO RUSH-CO'S INTERESTS.

TITLE: PEAKED TOWER FRAME DETAIL SHEET				SIZE: C
DRFT: RML	DATE: 11/20/2015	SCALE:	SHEET: 1	PART NO.:
ENGR: CWG	DATE: 10/10/2016		1	F-139